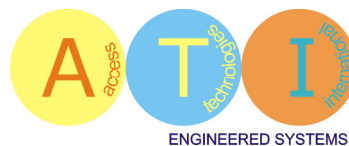




SA-ATM-1



INSTALLATION USER MANUAL



Copyright and Trademarks

Copyright © 2004 - 2007 Access Technologies International, Inc.

All rights reserved. Printed in United States. No part of this book may be used or reproduced, or stored in any form by any means, without the written consent of Access Technologies International, Inc.

The information in this book is subject to change without notice. This book is provided as is, without warranty of any kind, either express or implied, including but not limited to performance, merchant ability, or fitness for any particular purpose. Neither Access Technologies International, Inc. nor its dealers or distributors shall be liable to any person or entity with respect to any liability, loss, or damage, caused or alleged to have been caused directly or indirectly by this information.

StarAccess® is the registered trademark of Access Technologies International, Inc.

Any other trademarks or service marks belong to their respective companies. Use of a term in this book should not be regarded as affecting the validity of any trademark or service mark.

ACCESS TECHNOLOGIES INT'L, INC.

840 North Old World Third Street, Suite 600

Milwaukee, Wisconsin 53203

USA

Tel: (414) 289-3121

Fax: (414) 289-3129

Email: ati@atiaccess.com

WWW: www.atiaccess.com

January 1, 2004

Contents

- **Introduction**
 - 1.1 Features
 - 1.2 Equipment Options

- **SA-ATM-1 Controller**
 - 2.1 Configuration Diagram
 - 2.2 Controller Specifications
 - 2.3 Installation Diagram
 - 2.4 Enclosure Dimensions

- **Insertion Reader Wiring Diagram**

- **Warranty and Service**

1.- Introduction:

Leader in State of the Art Technology for Integrated Security

The SA-ATM-1 Access Control System provides state-of-the-art magnetic stripe access control for your ATM Vestibule.

The SA-ATM-1 Controller is an insertion magnetic stripe card access control system. This unit supports 1 insertion magnetic stripe card reader with 1 relay output, and 1 input. The SA-ATM-1 also supports Synergistics card reader. The SA-ATM-1 provides Egress and Auto Relock features.

1.1- Standard Features:

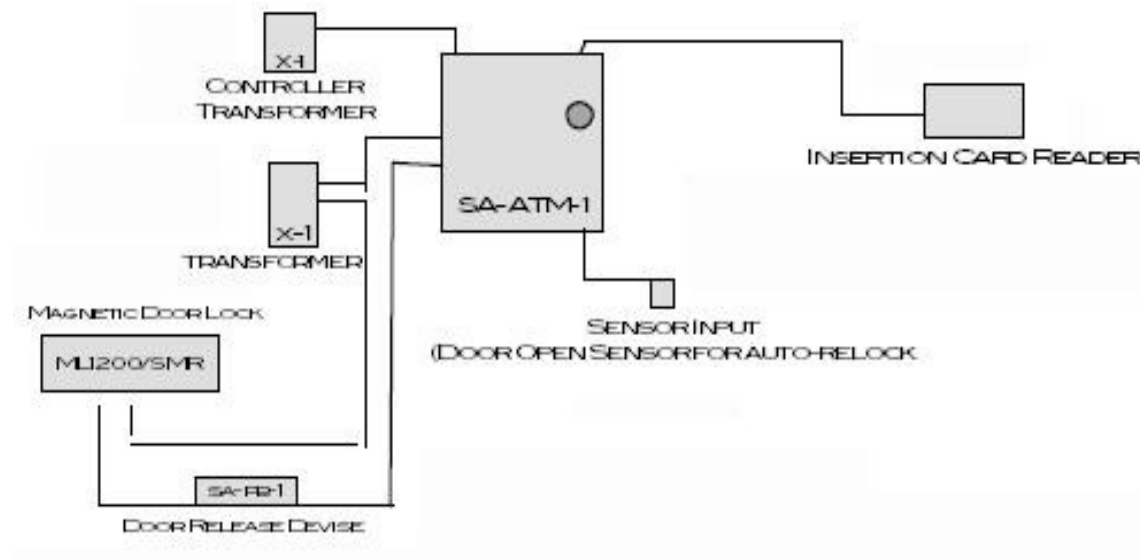
- Magnetic Stripe Track Two Insert Card Reader with Tri-Color LED.
- Two Output Relay Contacts for Door Release Control.
- Auto Relock Input Point for door sensor kit.
- Test Button for Output Relay.
- Card Reader Override Switch.
- Egress Input Option
- Door Lock Open Time interval (3 - 13 seconds).

1.2- Equipment Options:

- Door Sensor Kit
- Piezo Buzzer
- Card Insert Graphic Instruction Sticker
- Surge Protector or Uninterruptible Power Supply
- Post/Surface Mount Card Reader Enclosure
- Card Reader Adapter Spacer Plates

2.- SA-ATM-1 Controller

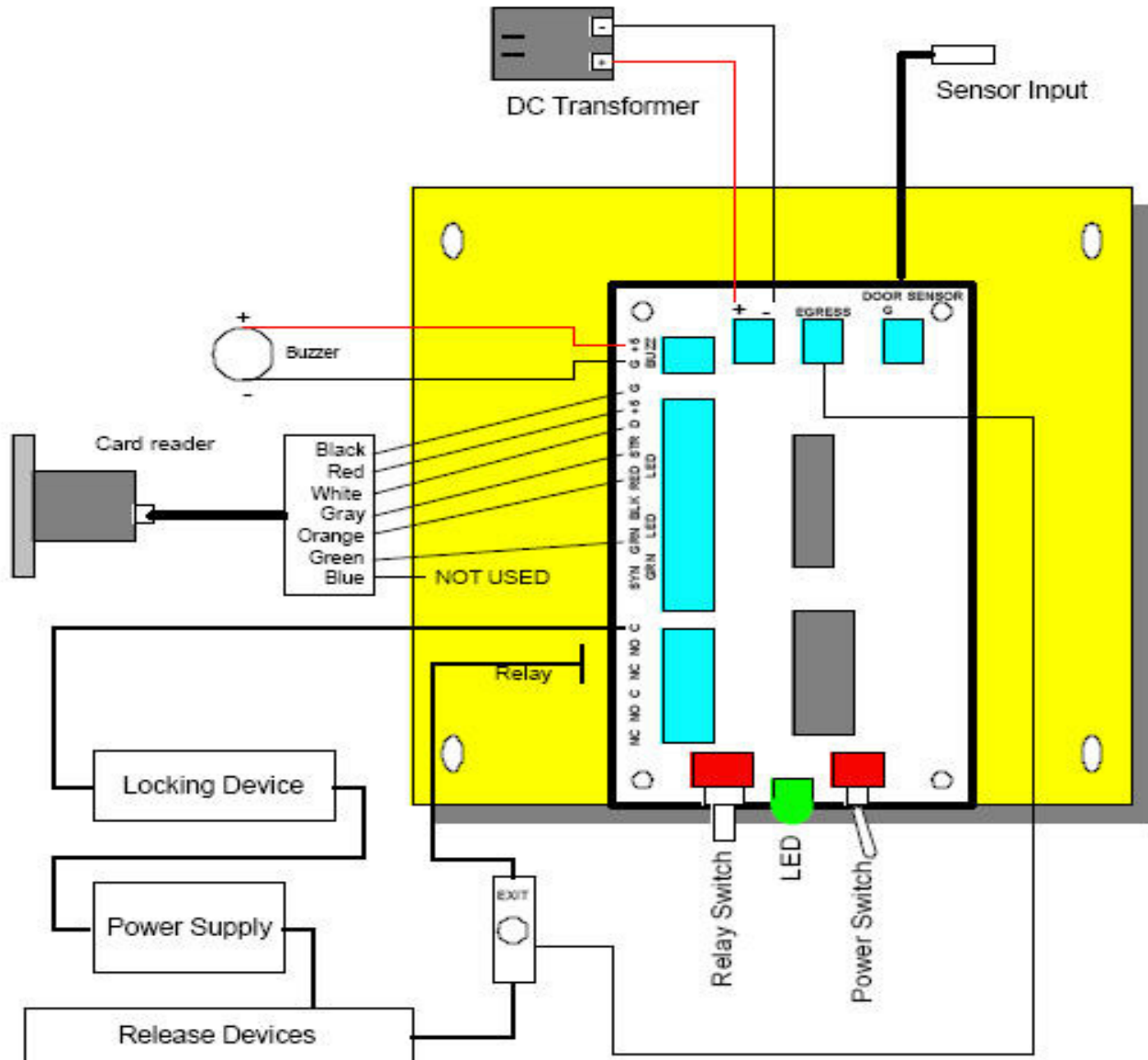
2.1- Configuration Diagram:



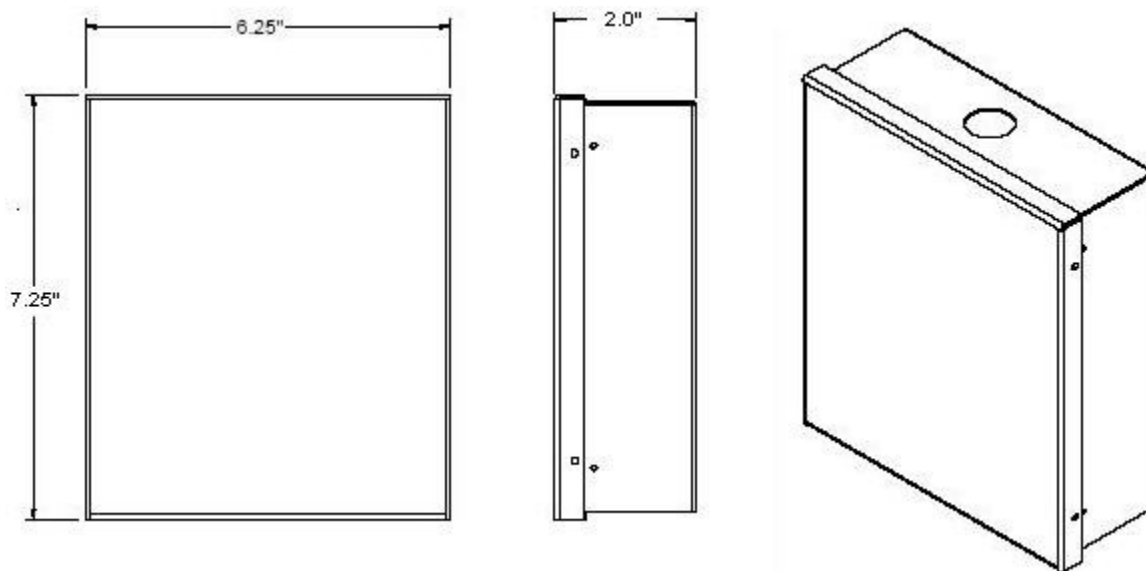
2.2- Controller Specifications:

- Card Reader Construction: Anodized Aluminum Bezel. Stainless Steel Casing.
- Controller Construction: Powder Coated Galvanized Steel.
- Power Supply: Output: 12 V 500mA - Input: 120 VAC 60 HZ 9W.
- Operating Environment: Temperature -20° to +140° F. Humidity 5% - 95% non-condensing.
- Output Relay: Form C dry contact 120V @ 3A.
- Shipping Weight: 10 lbs.

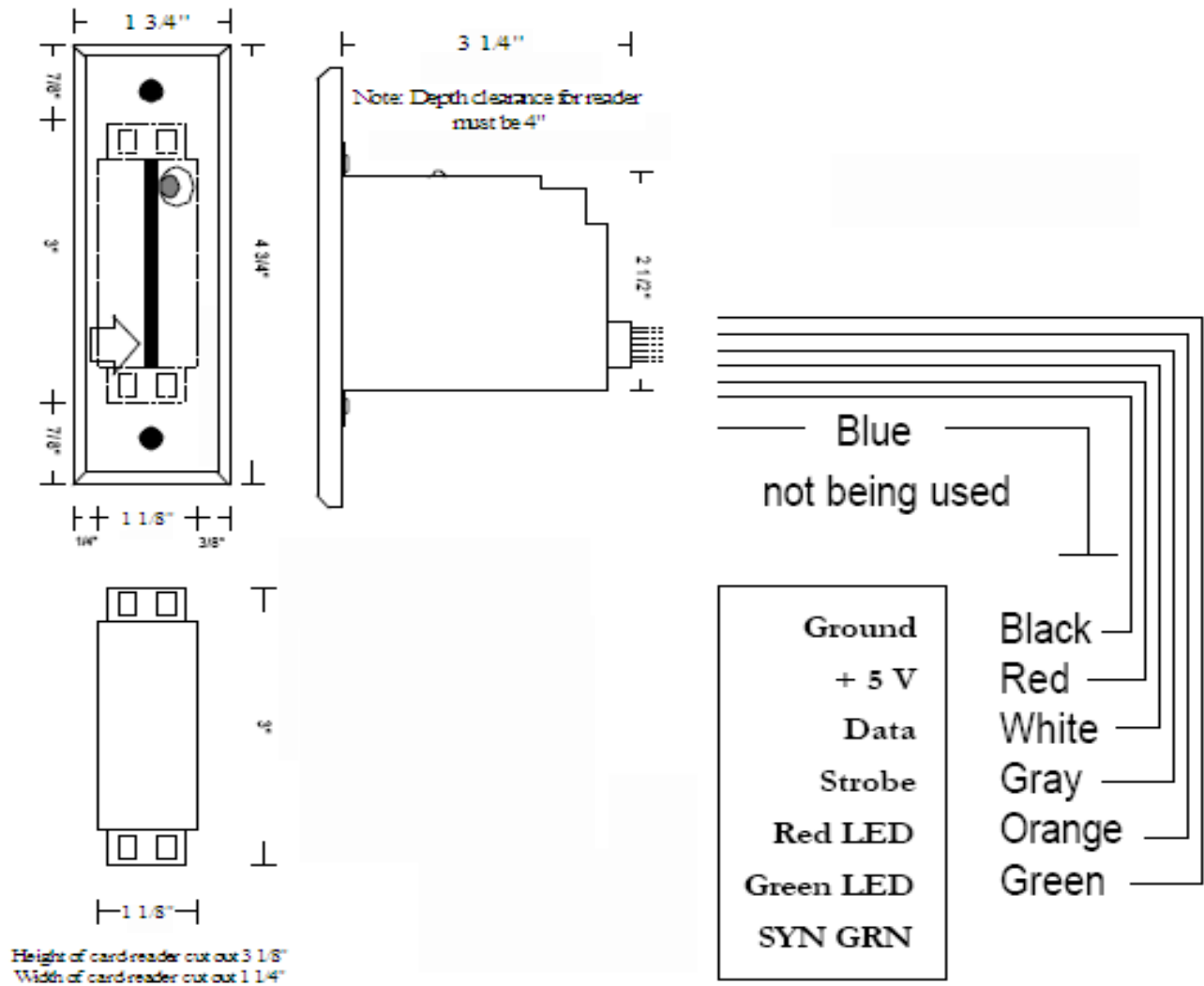
2.3- Installation Diagram:



2.4 SA-ATM-1 Enclosure Dimensions:



3.- SA-ATM-1 Insertion Reader wiring diagram:



Leader in State of the Art Technology for Integrated Security

4. – **Warranty and Service**

The following warranty and service information applies only to the United States of America. For the information in other countries, please contact your local distributor.

To obtain in or out of warranty service, please prepay shipment and return the unit to the appropriate facility listed below.

Access Technologies International, Inc.

840 North Old World Third Street

Milwaukee, WI 53203

Tel (414) 289-3121

Fax: (414) 289-3129

Email: ati@atiaccess.com

Web-site: www.atiaccess.com

OUTSIDE OF THE UNITED STATES

Visit our Web-site: www.atiaccess.com for your local representative.

Please use the original container, or pack the unit(s) in a sturdy carton with sufficient packing to prevent damage, include the following information:

1. A proof-of-purchase indicating model number and date of purchase.
2. Bill-to address
3. Ship-to address
4. Number and description of units shipped.
5. Name and telephone number of person to contact.
6. Reason for return and description of the problem.

NOTE: Damage occurring during shipment is deemed the responsibility of the carrier, and claims should be made directly to the carrier.