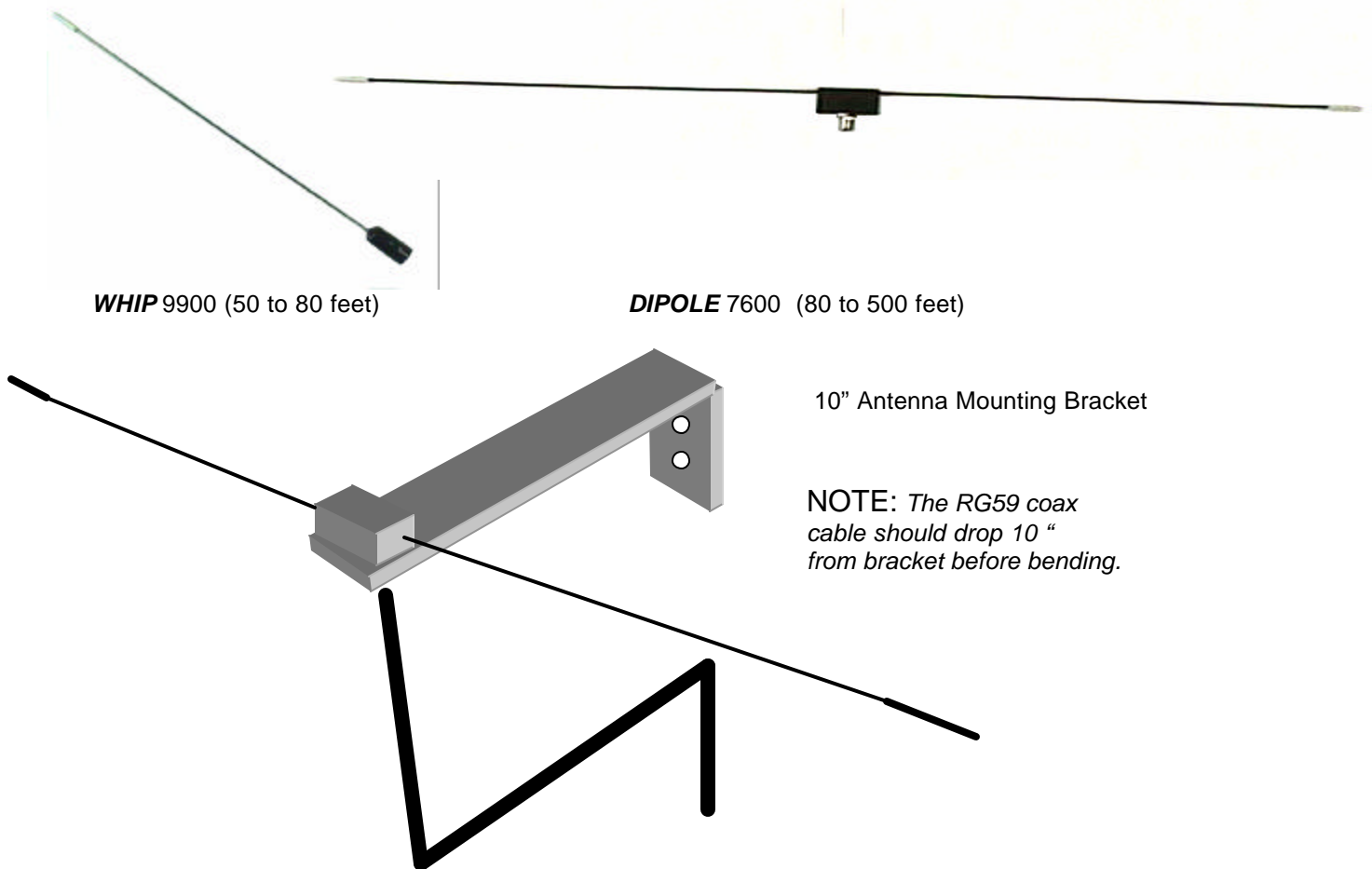


ANTENNA INSTALLATION



- ❑ *Antenna should be mounted 10" from walls, 2 feet away from metallic fence and gates, conduit pipe, motors, cabinets, 4 feet a way from wall corners and 8 feet away from other receivers and proximity readers.*
- ❑ For best results, mount antenna within 50 feet and line of site facing vehicle side in the activation area. Keep cable bends and length to a minimum.
- ❑ If the required range is erratic and intermittent move the antenna and/or receiver to another location. Make sure range potentiometer is at maximum.
- ❑ For further technical support contact Access Technologies International, Inc.