

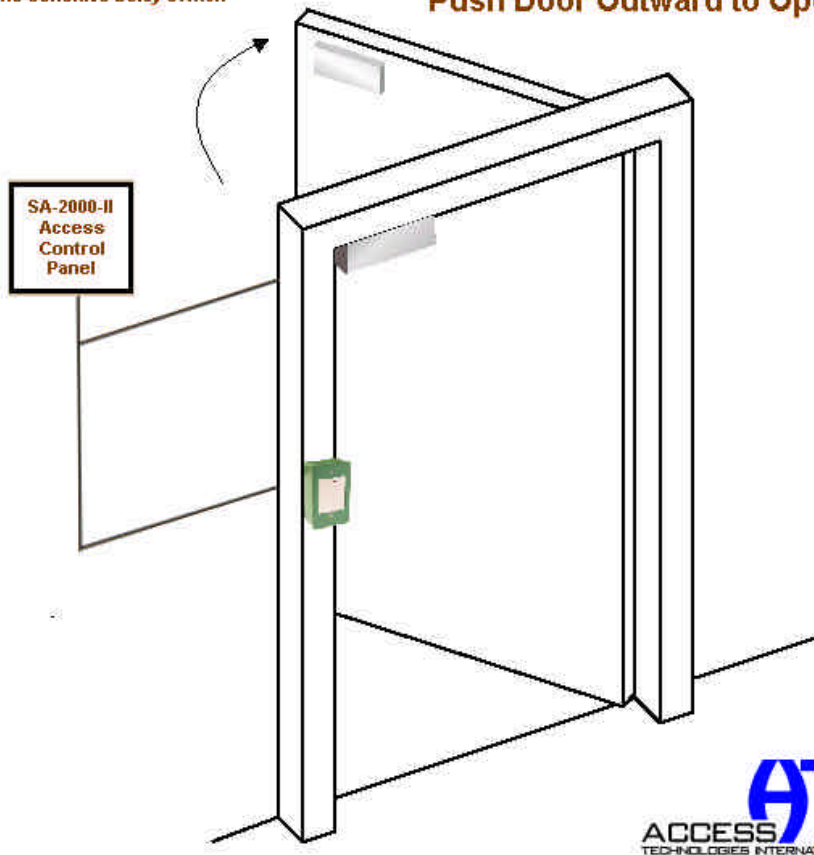


Features:

- ? **Surface Mount**
- ? **3A / 30 VDC Relay**
- ? **2 Year Warranty**
- ? **Heavy Duty Contacts**
- ? **Time Delay adjustable up to 30 seconds**
- ? **Red LED for Power**
- ? **Green LED for Relay ON/OFF**
- ? **Input Voltage 12/24 VDC auto selectable**
- ? **Dimensions: 12.20 L x 7.75 W x 4.6 D cm**

SA-TSD-1
 Time Sensitive Delay Switch

Push Door Outward to Open



Wiring Instructions

