



SA-8130

OUTPUT CONTROL INTERFACE

BENEFITS

- * Direct connect with the SA-8100 Intelligent Network Controller via RS485 multi-dropped with built-in EOL resistor
- * 2 User definable monitor Inputs (default $2k\Omega$ clear, $1k\Omega$ active, user definable)
- * 12 latching form C relays rated at 2A @ 30VDC
- * Flash memory for real-time program updates
- * Reset Switch
- * Rotary address switch (0-15)
- * Beeper control and Bi-color status LED
- * Three dedicated inputs for Tamper, Power and battery Failure Status
- * Quick disconnect screw terminal connectors
- * Off-normal status programmable for each input point (NO or NC alarm devices may be used)
- * Allows complex input/output linking when used with the SA-8100 and SA-8110
- * All connections and indicators are fully identified by silk-screened nomenclature on the mylar cover
- * UL 294 and UL 1076 recognized components

OVERVIEW

Access Technologies International's StarAccess® series intelligent controllers provide the power, performance, and flexibility of a complete and fully featured hardware and firmware infrastructure for an advanced and integrated access control system, communicating via industry standard RS-232/RS485, TCP/IP protocol over 10/100Mbps Ethernet, or the Internet (future option).

The SA-8130 Output Control Interface contains 12 latching Form-C relays, which can connect up to 12 devices controllable by simple contact closures, such as logic inputs for process equipment, HVAC and elevator control panels, CCTV switchers, etc. Loads exceeding 2A@30VDC should be controlled via interposing relays.

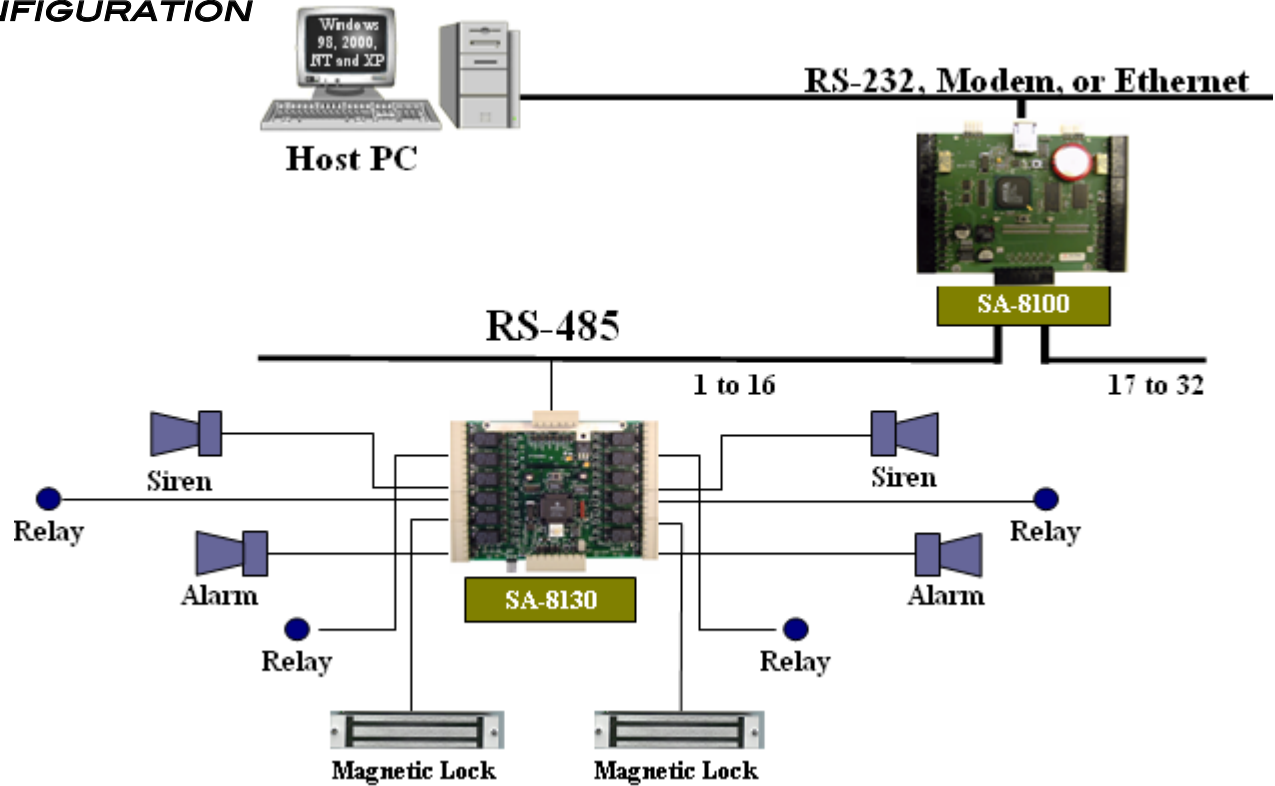
The SA-8130 features on-board flash memory, allowing program updates to be downloaded via the network.

The SA-8130 connects to the SA-8100 via a high speed RS-485 network.

This architecture minimizes the impact on corporate LANs, by using only one TCP/IP address for every 32 Interfaces, and by handling low-level transactions on the RS-485 network.



CONFIGURATION



SPECIFICATIONS

Dimensions	5.8" W x 4.825" H x 1.275" D (147.32mm x 122.55mm x 32.38mm)
Power Supply Requirements	60 mA @ 9 to 18 VDC
Communication Port	RS485 Two wire
Power	12 VDC, 150 mA
Operating Environment	Indoors, or NEMA-4 rated enclosure
Temperature	32°F to 122°F (0°C to 50°C)
Humidity	5% to 95% relative, non-condensing
Weight	13.6oz (0.38kg)
LED Indicators	Communications LED (GREEN when transmitting to host, and RED when receiving from host) Power LED (RED when 12VDC is ON)

Cable Distance	RS485 - 4000 feet (1220 m) to host using 22AWG Twisted pair, Shield 100Ω cable Output Circuits - 500 feet (150), 2-con ductor, shielded, using 22AWG cable
Input and Output	12 Relay Outputs (form C) for general purpose auxiliary outputs 2 User definable monitor Inputs (default 2kΩ clear, 1kΩ active, user definable)
Monitor Inputs	3 Linear inputs to monitor Tamper, AC Fail and battery Fail
Reset Button	Used to interrupt power to correct any settings
Address Switch	Set the module logical address (0 - 15)

SPECIFICATIONS SUBJECT TO CHANGE WITHOUT NOTICE.



840 North Old World Third Street, Suite 600 Milwaukee, WI 53203
Tel: 414.289.3121 • Fax: 414.289.3129 • email: ati@atiaccess.com

ATI
ACCESS
TECHNOLOGIES INTERNATIONAL